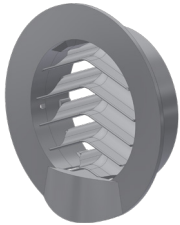


Data Sheet Airmaster Boomerain®

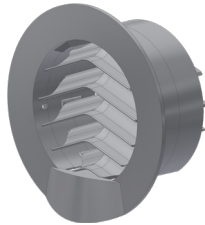
External wall grille for outdoor air intake and extract air discharge.

Product Version Overview

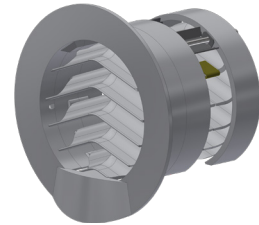
Boomerain® Ø160-1



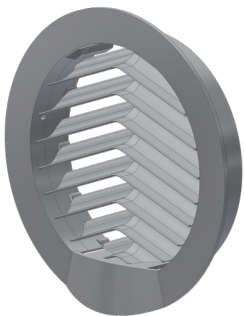
Boomerain® Ø160-2



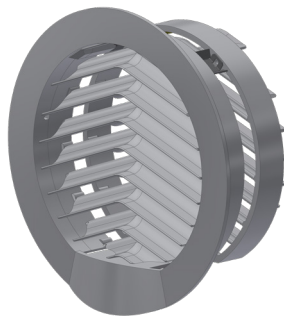
Boomerain® Ø160-3



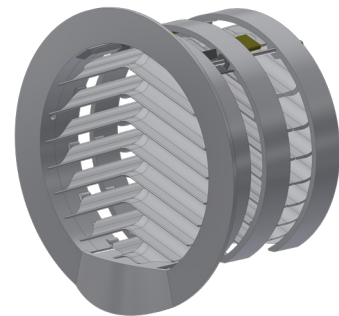
Boomerain® Ø250-1



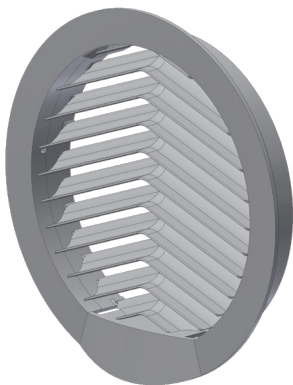
Boomerain® Ø250-2



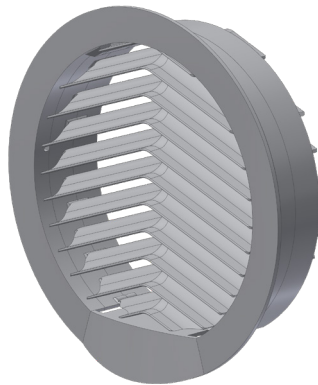
Boomerain® Ø250-3



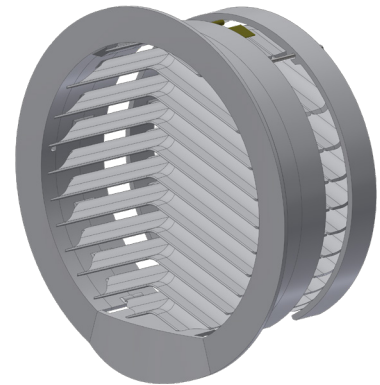
Boomerain® Ø315-1



Boomerain® Ø315-2



Boomerain® Ø315-3



Material and Finish

All grilles are made from sea water resistant cast aluminium.

Standard finish: Untreated

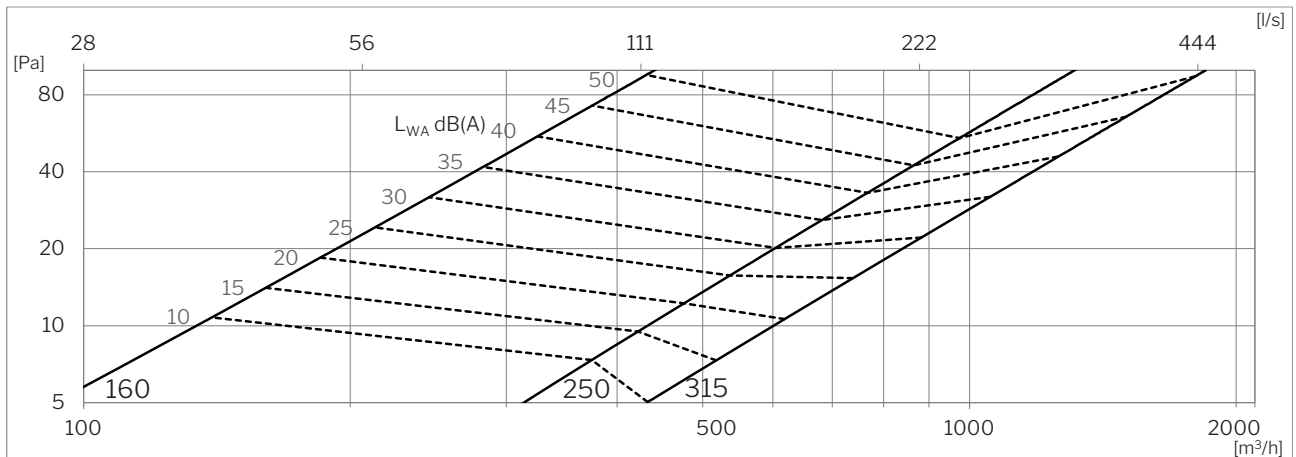
Optional finish: Powder-coated.

Maintenance

The grille should be removed to gain access to the duct connected to the air handling unit. The external parts should be wiped regularly with a damp cloth.

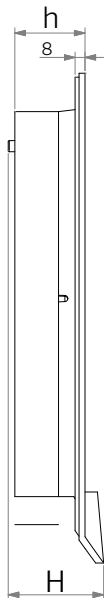
Technical Data

Airflow rate q_v [l/s]; [m³/h], pressure drop Δp [Pa] and sound power level L_{WA} [dB(A)] can be seen in the diagram below.

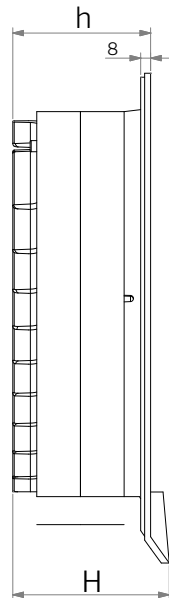


Measurement

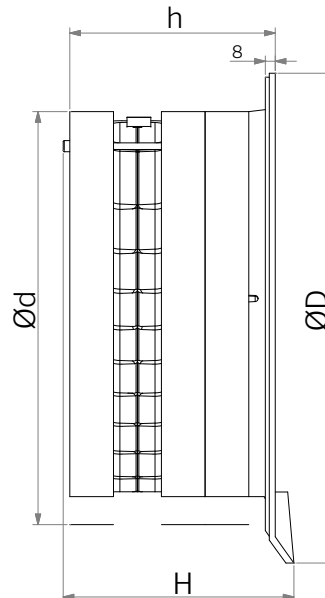
Boomerain® 1



Boomerain® 2



Boomerain® 3



| Boomerain® | Ød [mm] | ØD [mm] | h [mm] | H [mm] | Free areal (A _v) [m ²] | Weight [kg] |
|------------|---------|---------|--------|--------|--|-------------|
| Ø160-1 | 157 | 215 | 53 | 72 | 0,015 | 0,99 |
| Ø160-2 | 157 | 215 | 104 | 118 | 0,015 | 1,47 |
| Ø160-3 | 157 | 215 | 155 | 174 | 0,015 | 1,98 |
| Ø250-1 | 247 | 305 | 53 | 72 | 0,038 | 1,72 |
| Ø250-2 | 247 | 305 | 126 | 140 | 0,038 | 2,66 |
| Ø250-3 | 247 | 305 | 177 | 196 | 0,038 | 3,62 |
| Ø315-1 | 312 | 370 | 53 | 72 | 0,0624 | 2,12 |
| Ø315-2 | 312 | 370 | 104 | 118 | 0,0624 | 3,64 |
| Ø315-3 | 312 | 370 | 155 | 174 | 0,0624 | 5 |